

124800 to 124899

Illustrated Parts List

Model Series

124800 to 124899

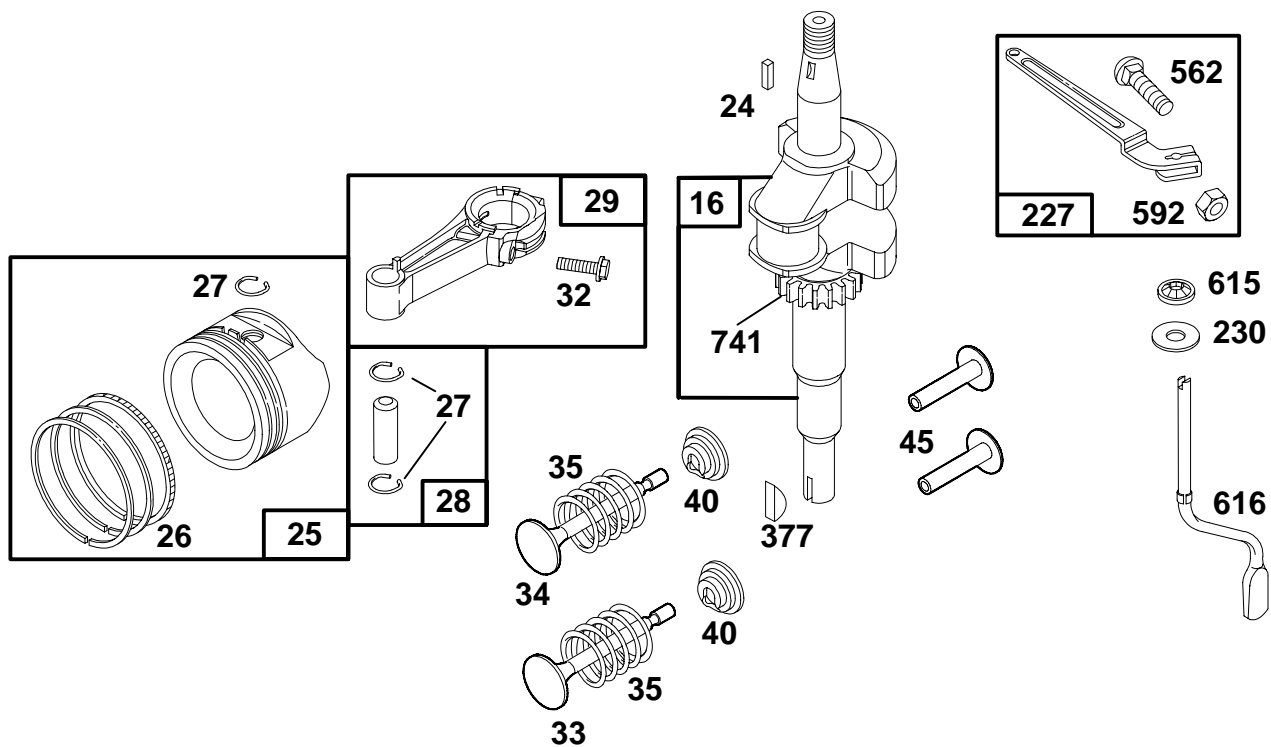
TYPE NUMBERS

0106,
0206 through 0284,
0406 through 0472,
0508 through 0560,
0610,
3100 through 3130,
3201 through 3246,
3401 through 3440.

TO FIND

THE CORRECT NUMBER OF THE PART YOU NEED: FOLLOW THE INSTRUCTIONS BELOW

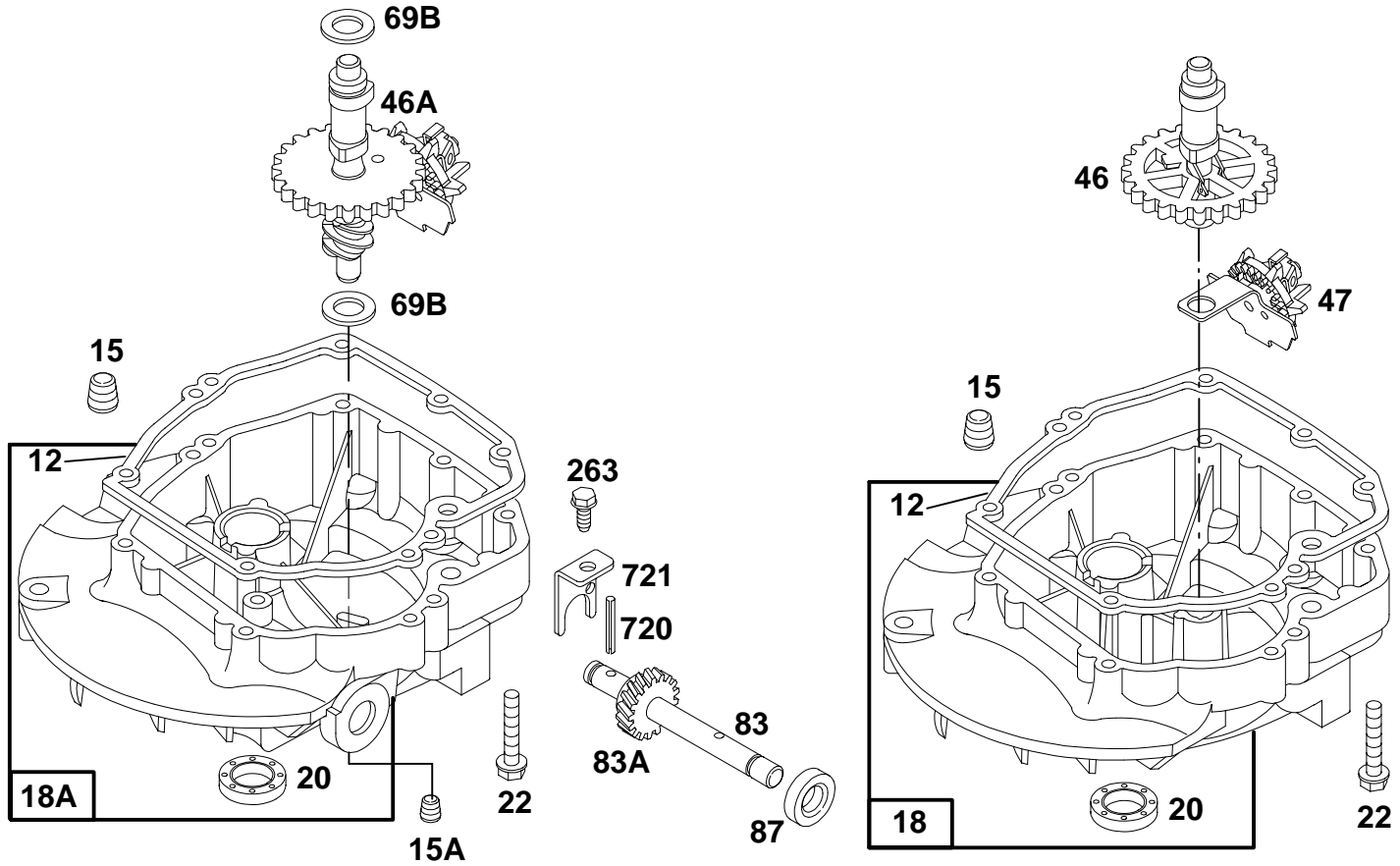
- A. Refer to Engine Model, Type and Code Number that is stamped on the blower housing of engine. Engine type numbers such as 0123 01 are listed only as 0123 in most instances. The two digits (01 or 02, etc.) to the right of the space may be required for more accurate parts identification in some instances. Select the Illustrated Parts List covering the correct Model Series and Type Number.
- B. Refer to the Illustrations and compare the original part with Illustration. The number next to the illustration is the Reference Number. Assemblies include all parts shown in frames. All parts shown in assembly frames having individual reference numbers can be purchased separately.
- C. After the Reference Number has been identified, refer to the Numerical text, where Reference and Primary Part Number are listed. **THE PRIMARY PART IS USED ON ALL TYPE NUMBERS EXCEPT THOSE TYPE NUMBERS UNDER "NOTE."**
- D. If a "Note" appears below the Primary Part Number, it means that this part differs from the Primary Part for certain types. If your Type number is listed under "Note," order the part referred to at the "Note."
- E. If your Engine Type Number does not appear after any part number listed under "Note," use the Primary Part Number.
- F. For Engine Type Numbers not covered by this book, check other Parts Lists having the same engine model or contact your source of supply.



REF. NO.	PART NO.	DESCRIPTION	REF. NO.	PART NO.	DESCRIPTION	REF. NO.	PART NO.	DESCRIPTION
16		Crankshaft See Last Page.			493389 Ring Set (.020" O.S.)	33	262651	Valve-Exhaust
24	222698	Key-Flywheel			493390 Ring Set (.030" O.S.)	34	262652	Valve-Intake
25	493262	Piston Assy. (Standard)	27	26026	Lock-Piston Pin	35	262224	Spring-Valve
		493385 Piston Assy. (.010" O.S.)	28	298909	Pin-Piston (Standard)	40	93312	Retainer-Valve
		493386 Piston Assy. (.020" O.S.)	29	490566	Rod-Connecting	45	262204	Tappet-Valve
		493387 Piston Assy. (.030" O.S.)			490743 Rod-Connecting (.020" Undersize)	227	492349	Lever Assembly-Gov.
26	493261	Ring Set (Standard)	32	94699	Screw-Connecting Rod	230	67072	Washer-Gov. Crank
		493388 Ring Set (.010" O.S.)				377	94329	Key-Woodruff (For 25 mm Crankshaft)
						562	92613	Bolt-Governor Lever
						592	231082	Nut-Hex.
						615	94474	Fastener
						616	262578	Crank-Governor
						741	262598	Gear-Timing

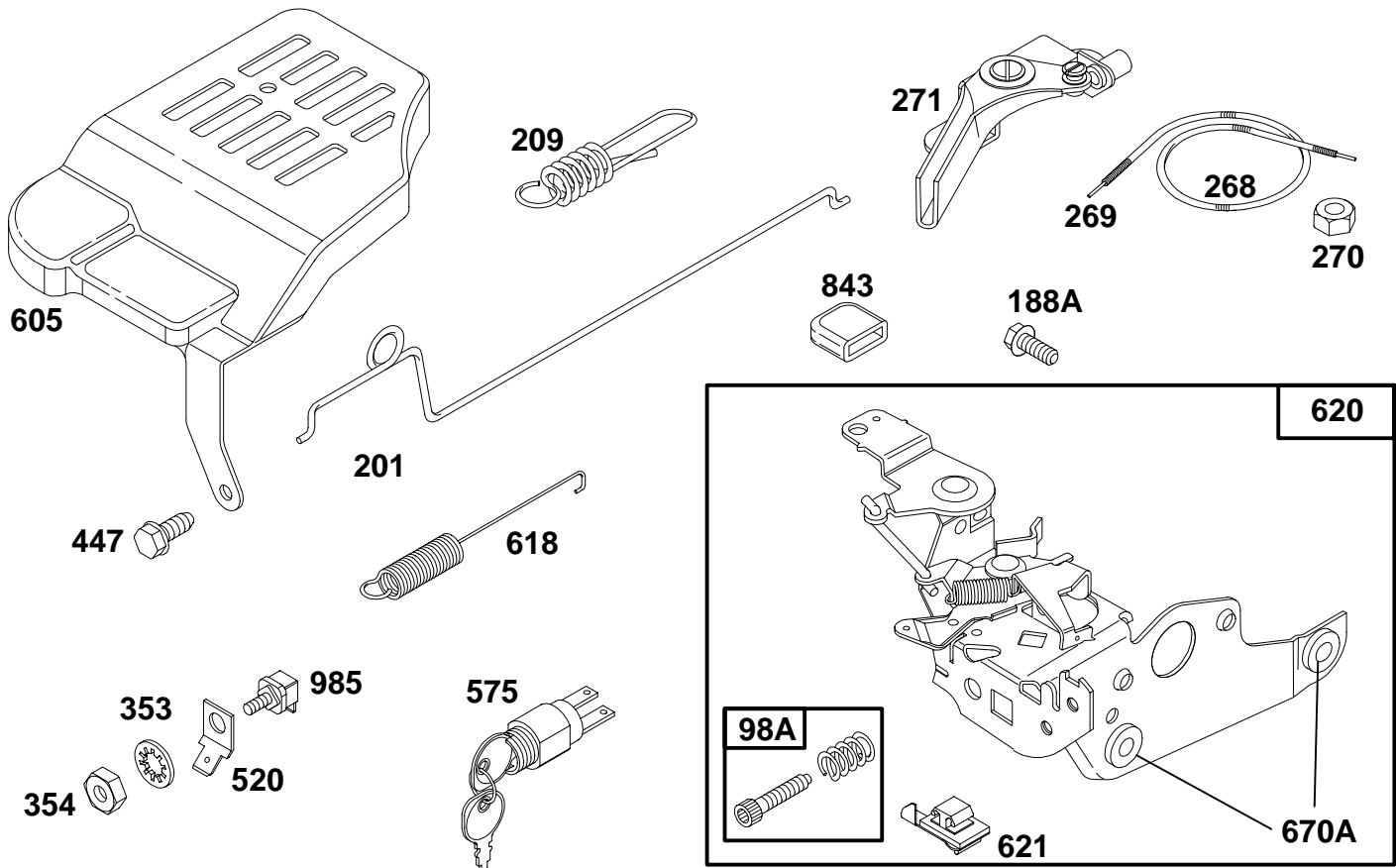
- ★ Included in Gasket Set-See Ref. 358.
- Included in Carburetor Kit-Part No. 493762.
- ◆ Included in Carburetor Gasket Set-Part No. 490937.

124800 to 124899



REF. NO.	PART NO.	DESCRIPTION	REF. NO.	PART NO.	DESCRIPTION	REF. NO.	PART NO.	DESCRIPTION
12	★272198	Gasket-Crankcase	46A	493738	Gear-Cam	83	231671	Shaft-Drive
15	94613	Plug-Oil Drain			(Counterclockwise)	————— Note —————		
15A	94470	Plug-Oil Drain (Hex. Socket, 1/16-27 NPTF)	47	493737	Slinger-Oil (Used After Code Date 90030450 and 90031800).	231711		Gear-Drive Used on Type No(s). 3424.
18	493279	Sump-Engine			————— Note —————	231748		Gear-Drive Used on Type No(s). 0219, 0220, 0262, 0267, 0426, 0470.
18A	493365	Sump-Engine			492524 Slinger-Oil (Used Before Code Date 90030550 and 90031900).	231909		Gear-Drive Used on Type No(s). 0516, 3241.
20	★399781	Seal-Oil	69B	68938	Washer-Thrust	83A	231279	Gear-Drive
22	94220	Screw-Hex. Head				87	391484	Seal-Oil
		————— Note —————				263	93572	Screw-Self Tap
		94612 Screw-Hex. Head One Used in Hole Nearest Breather.				720	93474	Pin-Roll
46	492830	Gear-Cam				721	224249	Stop-Shaft

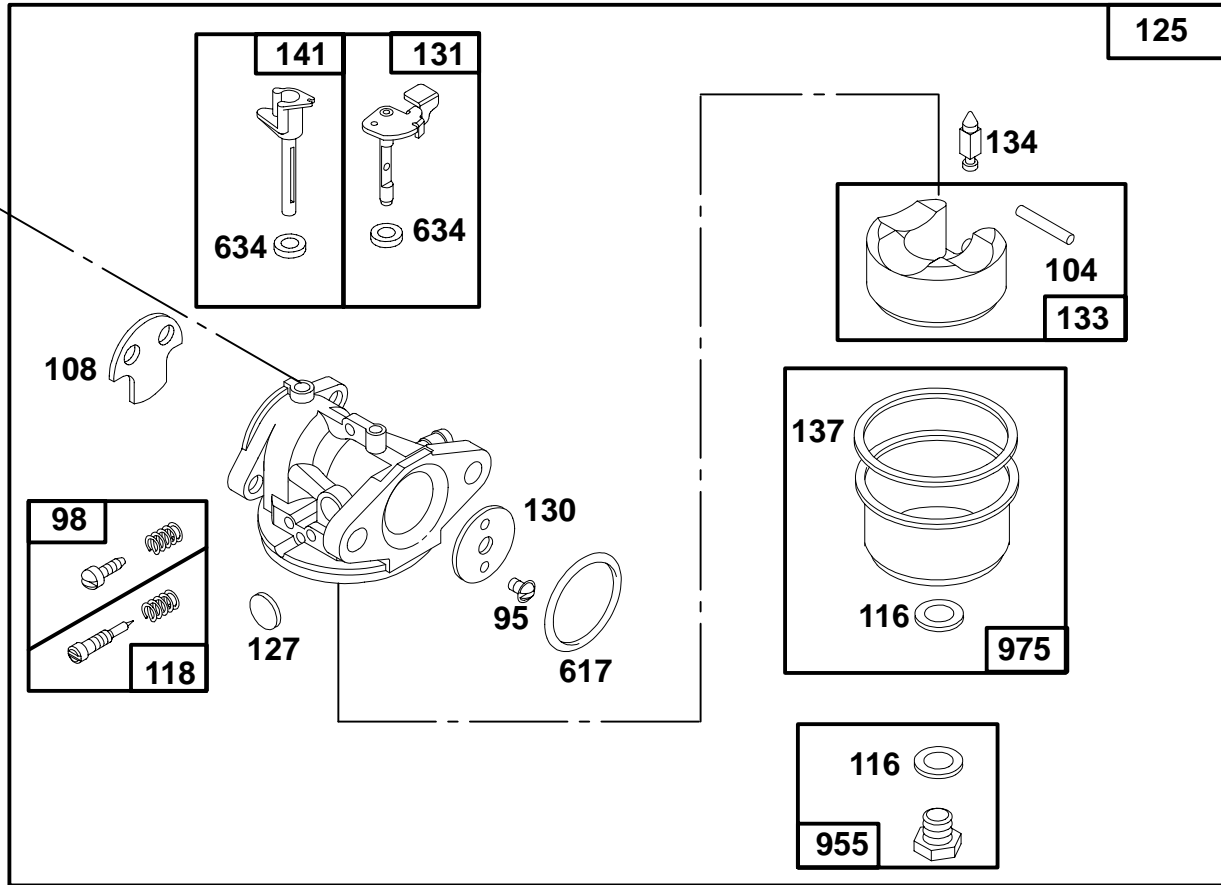
- ★ Included in Gasket Set-See Ref. 358.
- Included in Carburetor Kit-Part No. 493762.
- ◆ Included in Carburetor Gasket Set-Part No. 490937.



REF. NO.	PART NO.	DESCRIPTION	REF. NO.	PART NO.	DESCRIPTION	REF. NO.	PART NO.	DESCRIPTION			
98A	493280	Screw-Speed Adj.			<p align="center">———— Note ————</p> <p>If Longer Wire is Needed, Specify Length in Inches; if Shorter Wire is Needed and Cut to Required Length.</p> <p>———— Note ————</p> <p>If Longer Casing is Needed, Specify Length in Inches; if Shorter Casing is Needed Order and Cut to Required Length.</p>			493894	Bracket-Control (Used Before Code Date 93080200).		
188A	94644	Screw-Hex. Hd.							495976	Bracket-Control (Manual Friction Control) (Used After Code Date 93080100).	
201	262579	Link							493895	Bracket-Control (Used Before Code Date 93080200).	
209		Spring-Governor								3228, 3230.	
268	65616	Casing-Wire (72" Long)							621	396847	Switch-Stop
	66986	Casing-Wire (48" Long)	270	63426		Locknut-Casing	670A	*493823	Spacer (Includes 2)		
		———— Note ————	271	290568		Lever-Control			843	272616	Sleeve-Lever
		If Longer Casing is Needed, Specify Length in Inches; if Shorter Casing is Needed Order and Cut to Required Length.	353	92791		Washer-Lock			985	398525	Insulator
269	26633	Wire-Control (78" Long)	354	90576		Nut-Hex.					
	26099	Wire-Control (54" Long)	447	93801		Screw-Hex. Hd.					
			520	93722	Terminal						
			575	396291	Switch Assy.-Key						
			605	224509	Cover-Control						
			618	262749	Spring-Return						
			620	495975	Bracket-Control (Remote Control) (Used After Code Date 93080100).						

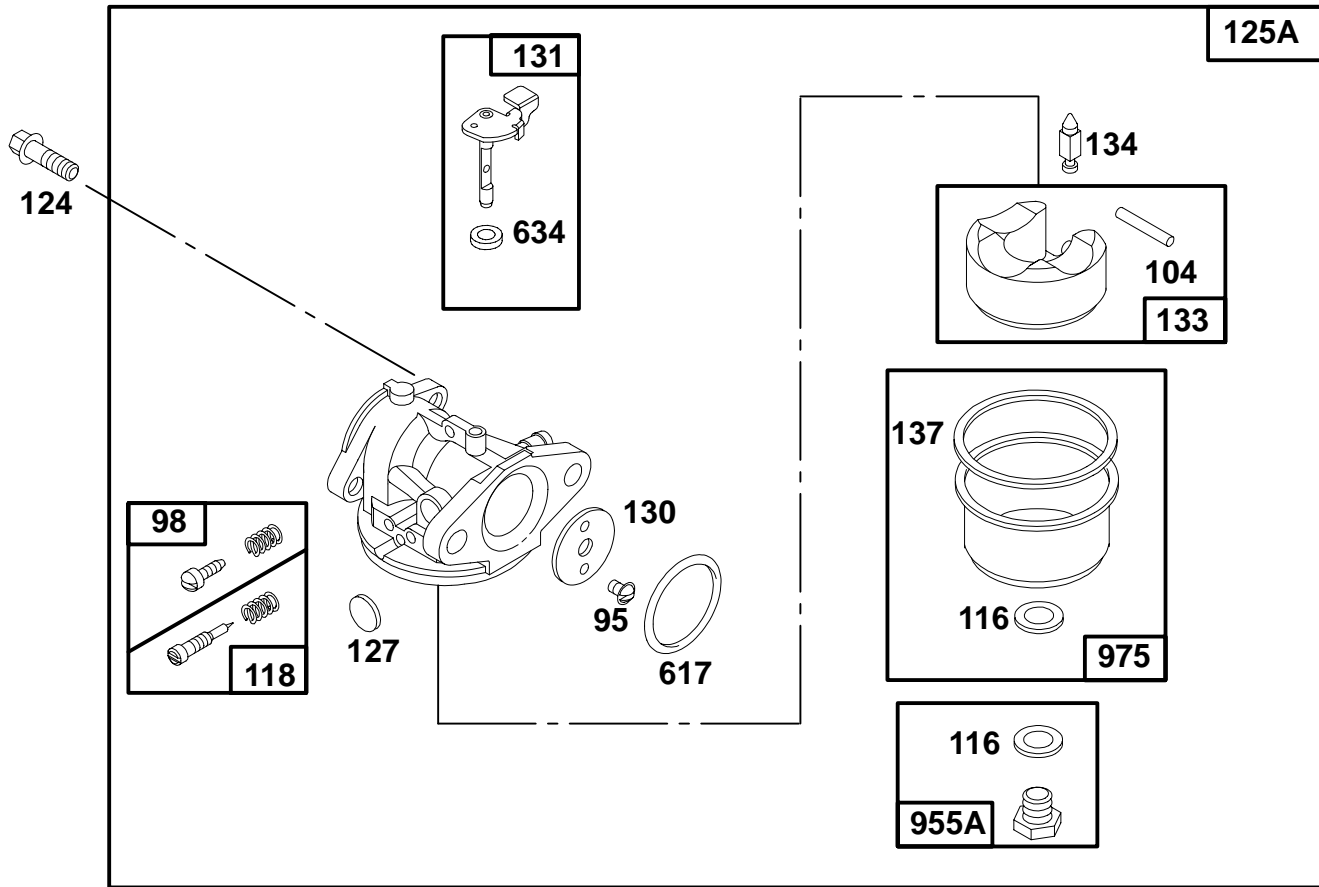
★ Included in Gasket Set—See Ref. 358.
 ● Included in Carburetor Kit—Part No. 493762.
 ◆ Included in Carburetor Gasket Set—Part No. 490937.

124800 to 124899



REF. NO.	PART NO.	DESCRIPTION	REF. NO.	PART NO.	DESCRIPTION	REF. NO.	PART NO.	DESCRIPTION
95	94098	Screw-Round Head	127	•	Plug-Welch (Sold in Kit Only)			OR
98	398185	Screw-Idle Adjustment	130	223470	Valve-Throttle			493763 Screw-Float Bowl (High Altitude)
104	•231371	Pin-Float Hinge	131	493267	Shaft-Throttle			Note
108	223471	Valve-Choke	133	398187	Float-Carburetor			493637 Screw-Float Bowl (Standard)
116	•♦	Gasket-Sealing (Sold in Kit Only)	134	•398188	Valve-Needle (Includes Seat)			OR
118	•493765	Valve Kit-Needle	137	•♦	Gasket-Float Bowl (Sold in Kit Only)			494870 Screw-Float Bowl (High Altitude)
124	94525	Screw-Carburetor Mounting	141	494218	Shaft-Choke			Used on Type No(s). 3110, 3117, 3208, 3224, 3408, 3414, 3421, 3423, 3424.
125	494217	Carburetor SEE NEXT PAGE FOR ADDITIONAL CARBURETOR. Note 493627 Carburetor (For Primer) (Used Before Code Date 93080200). Used on Type No(s). 3110, 3117, 3208, 3224, 3408, 3414, 3421, 3423, 3424.	617	•♦270344	Seal-Fuel Intake Tube			
			634	•♦	Washer-Shaft (Sold in Kit Only)			
			955	493869	Screw-Float Bowl (Standard)			975 493640 Bowl-Float

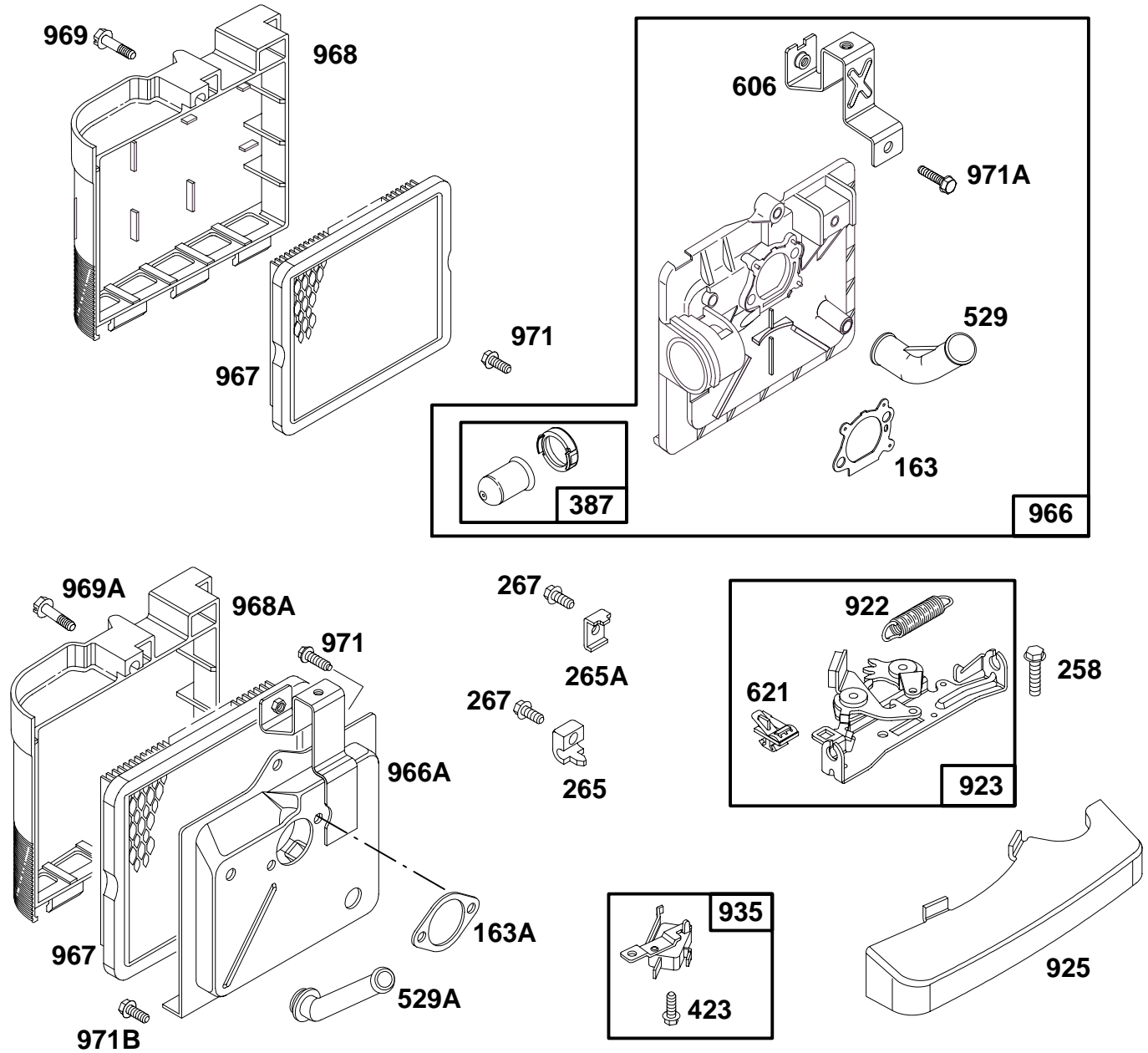
★ Included in Gasket Set-See Ref. 358.
 ● Included in Carburetor Kit-Part No. 493762.
 ♦ Included in Carburetor Gasket Set-Part No. 490937.



REF. NO.	PART NO.	DESCRIPTION	REF. NO.	PART NO.	DESCRIPTION	REF. NO.	PART NO.	DESCRIPTION
95	94098	Screw-Round Head	127	•	Plug-Welch (Sold in Kit Only)	617	••270344	Seal-Fuel Intake Tube
98	398185	Screw-Idle Adjustment	130	223470	Valve-Throttle	634	••	Washer-Shaft (Sold in Kit Only)
104	•231371	Pin-Float Hinge	131	493267	Shaft-Throttle	955A	493637	Screw-Float Bowl (Standard)
116	•♦	Gasket-Sealing (Sold in Kit Only)	133	398187	Float-Carburetor	Note _____		
118	•493765	Valve Kit-Needle	134	•398188	Valve-Needle (Includes Seat)	496063		Screw-Float Bowl (For High Altitude)
124	94525	Screw-Carb. Mtg.	137	•♦	Gasket-Float Bowl (Sold in Kit Only)	975	493640	Bowl-Float
125A	496114	Carburetor (For Primer) (Used After Code Date 93080100).						

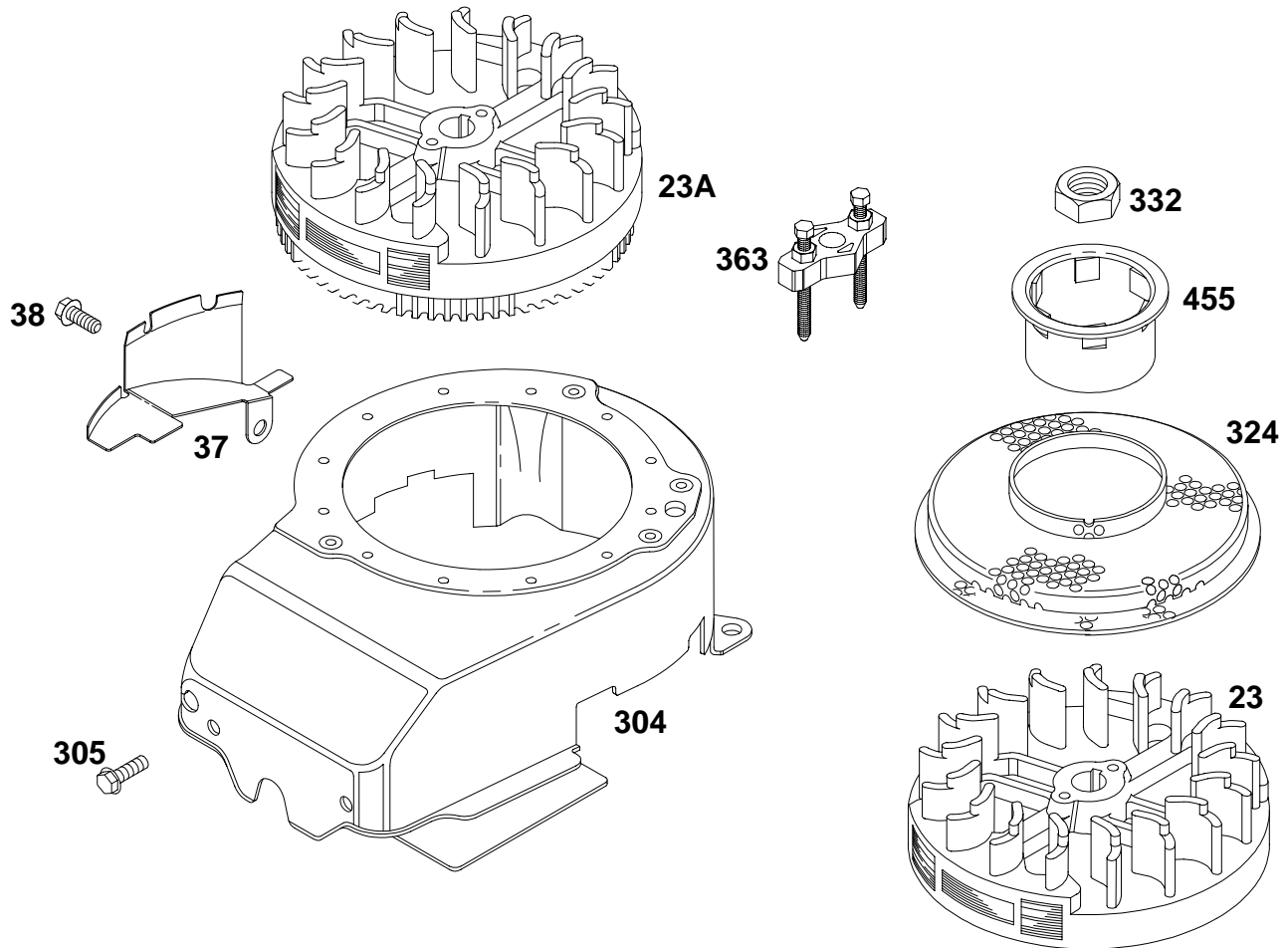
★ Included in Gasket Set-See Ref. 358.
 • Included in Carburetor Kit-Part No. 493762.
 ♦ Included in Carburetor Gasket Set-Part No. 490937.

124800 to 124899



REF. NO.	PART NO.	DESCRIPTION	REF. NO.	PART NO.	DESCRIPTION	REF. NO.	PART NO.	DESCRIPTION
	163	★272653 Gasket–Air Cleaner		922	262640 Spring–Brake		967	491588 Filter–Air
	163A	★272296 Gasket–Air Cleaner		923	493442 Brake		968	281340 Cover–Air Cleaner
	258	94512 Screw–Hex. Head		925	281145 Cover–Linkage		968A	281069 Cover–Air Cleaner
	265	213146 Clamp–Casing		935	398758 Switch–Interlock		969	94120 Screw–Hex. Head
	265A	221535 Clamp–Casing		966	496116 Base–Air Cleaner (Primer Style)		969A	94173 Screw–Air Cleaner
	267	94204 Screw–Clamp Mtg.					971	94121 Screw–Hex. Head
	387	496115 Primer–Carburetor					971A	94749 Screw–Hex. Head
	423	93758 Screw–Hex. Hd.					971B	94269 Screw–Air Cleaner
	529	281299 Grommet		966A	494735 Base–Air Cleaner (Metal)			
	529A	280943 Grommet						
	606	224815 Strap–Bracket						
	621	396847 Switch–Stop						

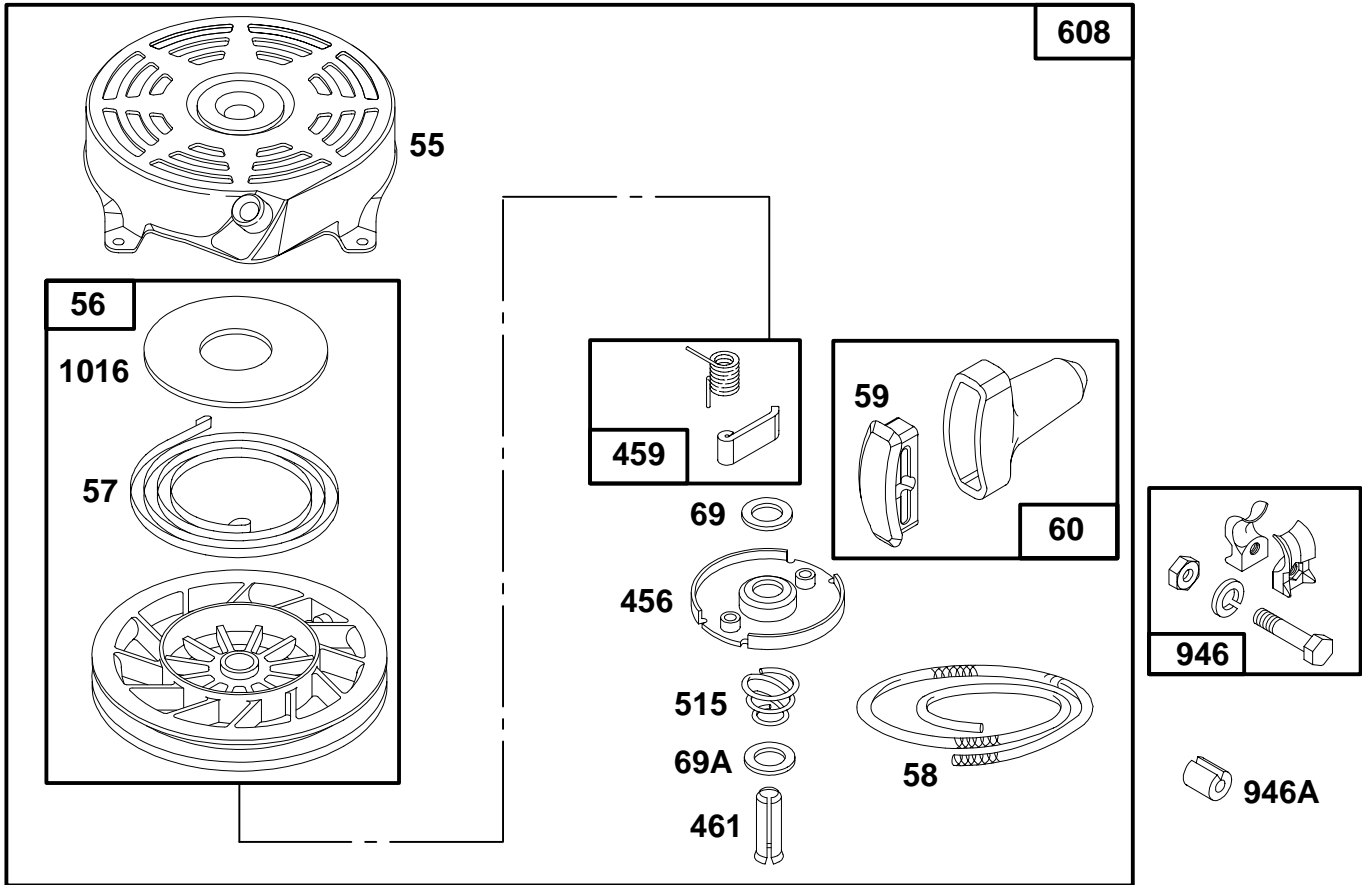
- ★ Included in Gasket Set–See Ref. 358.
- Included in Carburetor Kit–Part No. 493762.
- ◆ Included in Carburetor Gasket Set–Part No. 490937.



REF. NO.	PART NO.	DESCRIPTION	REF. NO.	PART NO.	DESCRIPTION	REF. NO.	PART NO.	DESCRIPTION
23	492177	Flywheel	304	493294	Housing-Blower Used on Engines without Band Brake.	305	94513	Screw-Hex. Head
23A	492175	Flywheel						Note
		Note			Note			94513 Screw-Hex. Head
		492893 Flywheel Used on Type No(s). 0213, 0418, 0424.			493293 Housing Blower			94167 Stud
37	224511	Guard-Flywheel			Used on Engines with Band Brake.	324	224251	Screen-Rotating
38	94608	Screw-Hex. Hd.				332	92284	Nut-Flywheel
						363	19069	Flywheel Puller
						455	224250	Cup-Flywheel

★ Included in Gasket Set-See Ref. 358.
 ● Included in Carburetor Kit-Part No. 493762.
 ◆ Included in Carburetor Gasket Set-Part No. 490937.

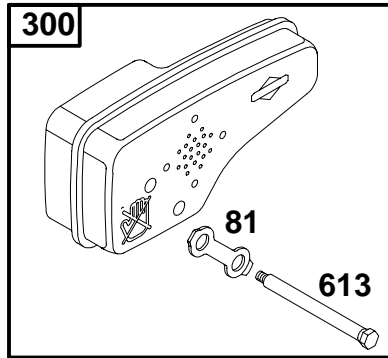
124800 to 124899



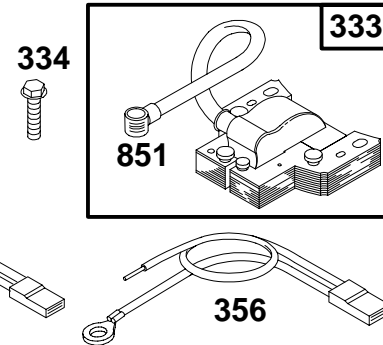
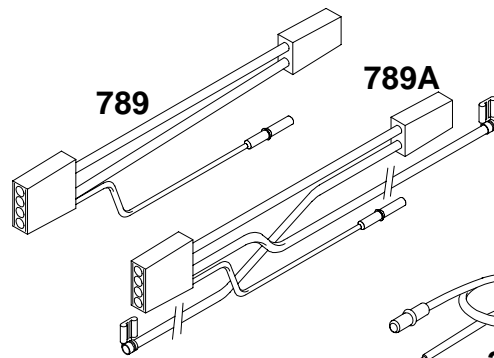
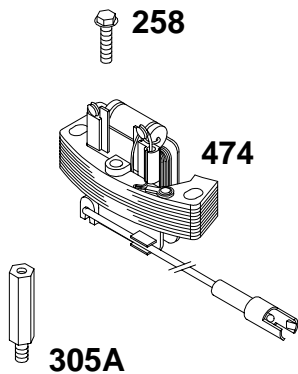
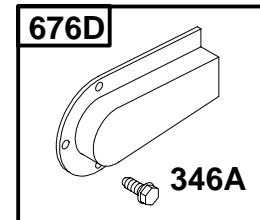
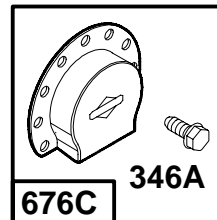
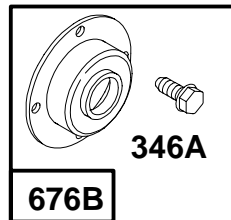
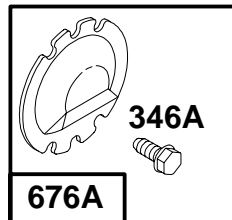
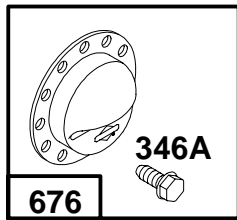
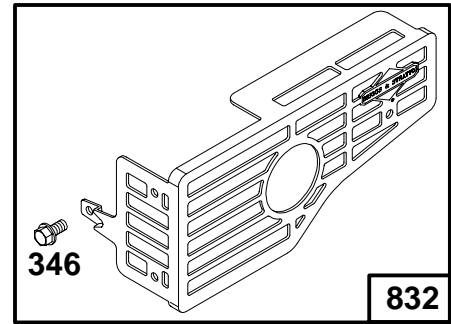
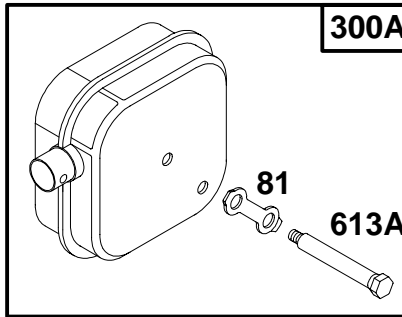
REF. NO.	PART NO.	DESCRIPTION	REF. NO.	PART NO.	DESCRIPTION	REF. NO.	PART NO.	DESCRIPTION
55	492831	Housing—Rewind Starter	60	393152	Grip—Starter	608	493295	Starter—Rewind
56	493824	Pulley—Starter	69	280973	Washer—Spring			Include(s):
57	262594	Spring—Rewind Starter	69A	224322	Washer—Flat			94128 Screw—Hex. Hd
58	280399	Rope—Starter (Cut To Suit)	456	224321	Retainer—Spring			92987 Nut—Hex.
59	396892	Insert—Handle	459	492833	Pawl—Starter	946	396526	Guide—Rope
			461	262626	Pin—Shaft	946A	223294	Stop—Rope
			515	262625	Spring—Retainer	1016	224278	Cover—Pulley

- ★ Included in Gasket Set—See Ref. 358.
- Included in Carburetor Kit—Part No. 493762.
- ◆ Included in Carburetor Gasket Set—Part No. 490937.

124800 to 124899

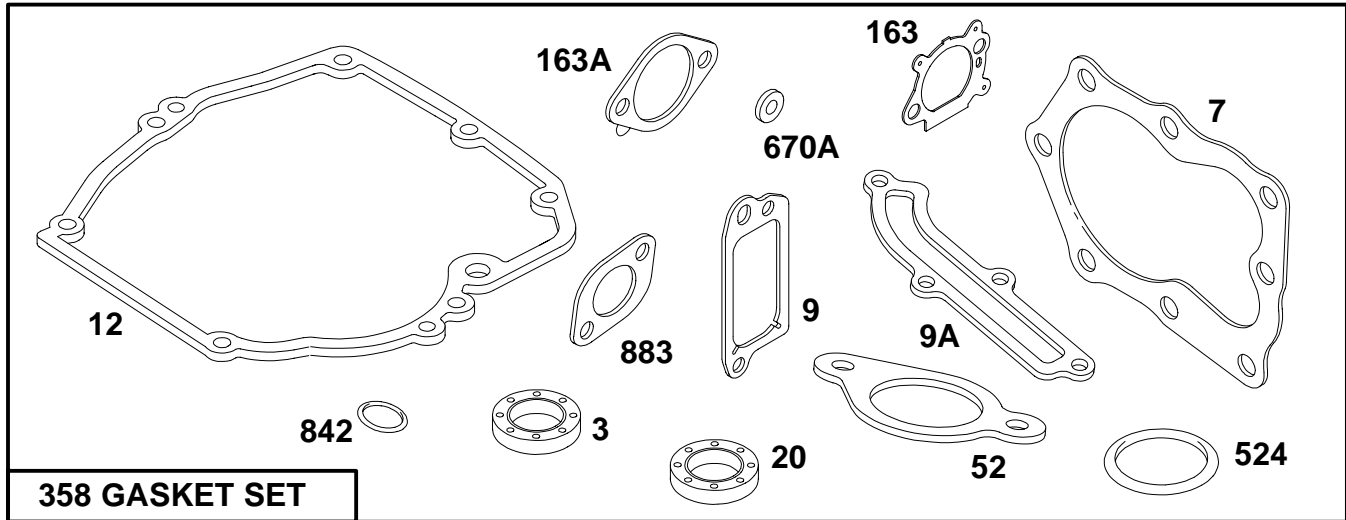


883

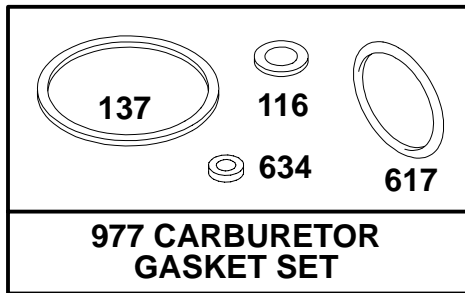


REF. NO.	PART NO.	DESCRIPTION	REF. NO.	PART NO.	DESCRIPTION	REF. NO.	PART NO.	DESCRIPTION
81	223664	Lock-Muffler Screw	356A	496381	Wire-Stop (Used After Code Date 93100300).	676D	493871	Deflector-Muffler
258	94512	Screw-Hex. Head				789	493379	Harness-Wiring Used on Engines without Band Brake.
300	490547	Muffler-Exhaust			Note	789A	493380	Harness-Wiring Used on Engines with Band Brake.
300A	494343	Muffler-Exhaust (Square Lo-Tone)			398153 Wire-Stop (Used Before Code Date 93100400).			
305A	94510	Stud-Alternator Mtg.	474	492841	Alternator			
333	802574	Armature-Magneto	613	94231	Screw-Muffler Mtg.			Note
334	93381	Screw-Sem	613A	94615	Screw-Muffler Mtg.			494544 Harness-Wiring Used on Type No(s). 0517, 3211.
346	94602	Screw-Hex. Hd.	676	396548	Deflector-Muffler	832	494224	Guard-Muffler
346A	93705	Screw-Hex. Hd.	676A	393756	Deflector-Muffler	851	221798	Terminal-Cable
356	398808	Wire-Stop	676B	397931	Deflector-Muffler	883	★272253	Gasket-Exhaust
		Note	676C	393760	Deflector-Muffler			
		494714 Wire-Stop Used on Type No(s). 3433, 3435, 3242.						

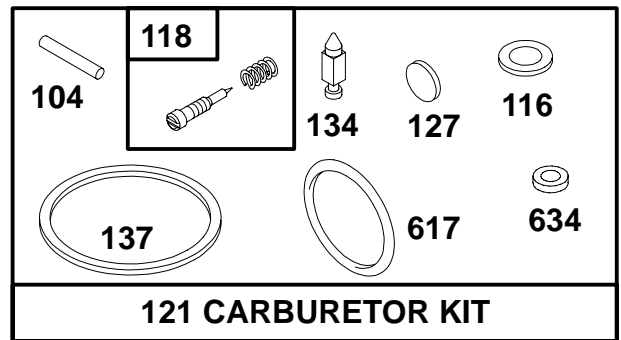
- ★ Included in Gasket Set-See Ref. 358.
- Included in Carburetor Kit-Part No. 493762.
- ◆ Included in Carburetor Gasket Set-Part No. 490937.



358 GASKET SET



977 CARBURETOR GASKET SET

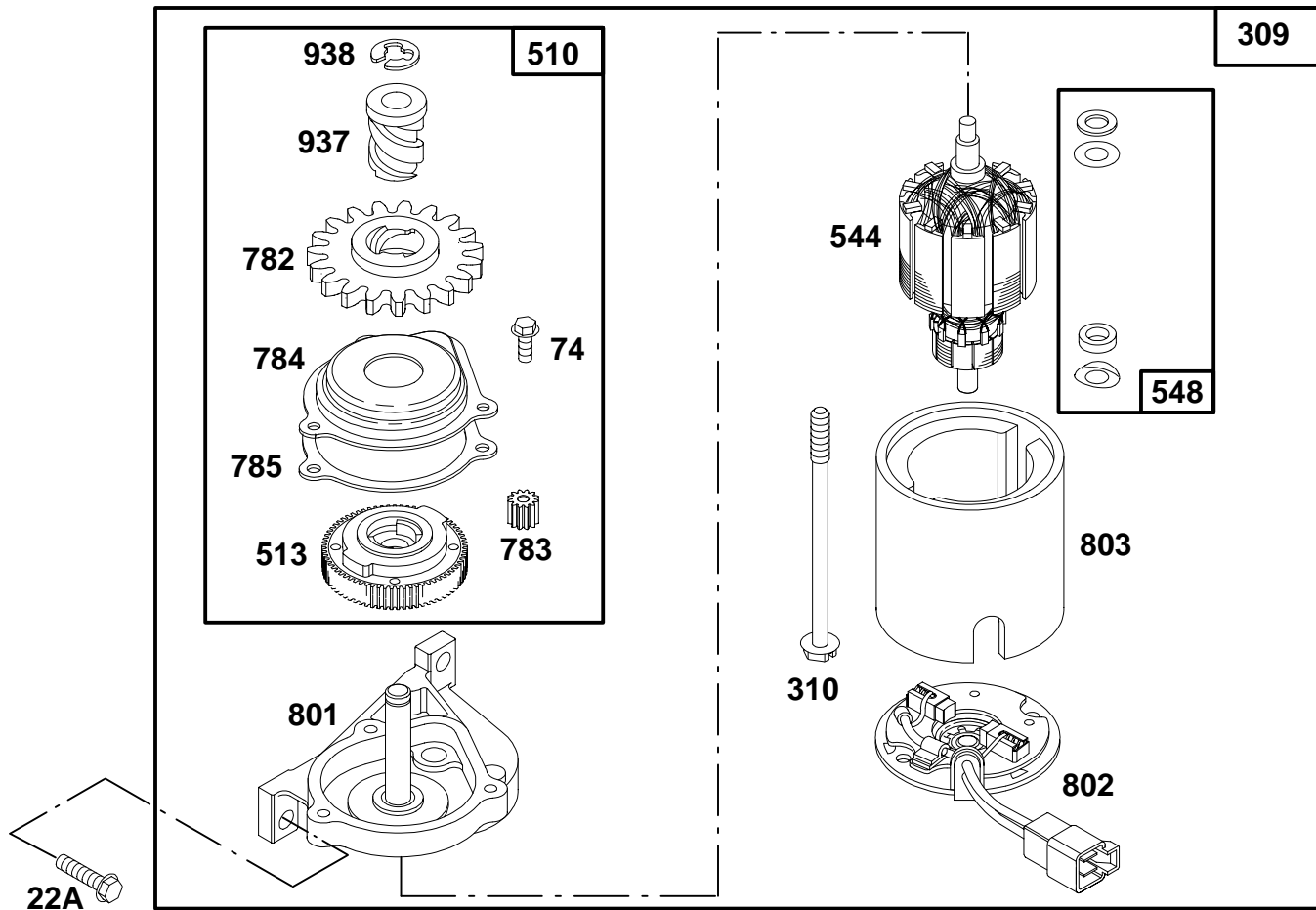


121 CARBURETOR KIT

REF. NO.	PART NO.	DESCRIPTION	REF. NO.	PART NO.	DESCRIPTION	REF. NO.	PART NO.	DESCRIPTION
3	★299819	Seal–Oil	127	●	Plug–Welch (Sold in Kit Only)	524	★280393	Seal–Fill Tube
7	★272200	Gasket–Cylinder Hd.	134	●398188	Valve–Needle (Includes Seat)	617	●●270344	Seal–Fuel Intake Tube
9	★272481	Gasket–Breather	137	●◆	Gasket–Float Bowl (Sold in Kit Only)	634	●◆	Washer–Shaft (Sold in Kit Only)
9A	★272238	Gasket–Breather	163	★272653	Gasket–Air Cleaner	670A	★493823	Spacer (Includes 2)
12	★272198	Gasket–Crankcase	163A	★272296	Gasket–Air Cleaner	842	★280966	Seal–Cap
20	★399781	Seal–Oil	358	496117	Gasket Set (Used After Code Date 93080100).	883	★272253	Gasket–Exhaust
52	★272199	Gasket–Intake Elbow			Note	977	490937	Gasket Set– Carburetor
104	●231371	Pin–Float Hinge			493263 Gasket Set (Used Before Code Date 93080200).			
116	●◆	Gasket–Sealing (Sold in Kit Only)						
118	●493765	Valve Kit–Needle						
121	493762	Carburetor Kit						

★ Included in Gasket Set–See Ref. 358.
 ● Included in Carburetor Kit–Part No. 493762.
 ◆ Included in Carburetor Gasket Set–Part No. 490937.

124800 to 124899



REF. NO.	PART NO.	DESCRIPTION	REF. NO.	PART NO.	DESCRIPTION	REF. NO.	PART NO.	DESCRIPTION
22A	94268	Screw-Hex. Head	544	492921	Armature-Starter	801	492335	Cap-Drive
74	93490	Screw-Sem.	548	492919	Washer Set	802	492922	Cap-End
309	494233	Motor-Starter	782	281127	Gear-Starter	803	492920	Housing-Starter
310	94051	Bolt-Thru	783	261606	Gear-Starter	937	281125	Spline-Starter
510	494147	Drive-Starter	784	224262	Cover-Gear	938	93941	Retainer-Lock
513	394815	Clutch-Drive	785	272201	Gasket-Cover			

- ★ Included in Gasket Set-See Ref. 358.
- Included in Carburetor Kit-Part No. 493762.
- ◆ Included in Carburetor Gasket Set-Part No. 490937.

124800 to 124899

REF. NO.	PART NO.	DESCRIPTION	REF. NO.	PART NO.	DESCRIPTION	REF. NO.	PART NO.	DESCRIPTION	
16	493282	Crankshaft <div style="text-align: center;">Note</div> For Timing Gear Key— Order Part No. 94388. 493362 Crankshaft Used on Type No(s). 0210, 0212, 0213, 0215, 0227, 0228, 0236, 0238, 0245, 0261, 0265, 0268, 0283, 0415, 0416, 0417, 0424, 0426, 0427, 0431, 0470, 0472, 0514, 0515, 0516, 0551, 0552, 0610, 3126, 3130, 3212, 3213, 3215, 3216, 3219, 3223, 3224, 3225, 3228, 3231, 3234, 3241, 3412, 3421, 3422, 3424, 3426, 3427, 3429, 3436, 3439. 493363 Crankshaft Used on Type No(s). 0216, 0221, 0224, 0229, 0230, 0231, 0232, 0242, 0266, 0270, 0280, 0281, 0282, 0410, 0413, 0419, 0421, 0429, 0430, 0466, 0469, 0471, 0512, 0513, 0517, 0518, 0550, 0882, 3218, 3230, 3240, 3245, 3246, 3423. 493433 Crankshaft Used on Type No(s). 3110, 3111, 3115, 3117, 3124, 3209, 3214, 3220, 3425.			493946 Crankshaft Used on Type No(s). 0210, 0211, 0214, 0217, 0218, 0219, 0220, 0262, 0264, 0267, 0414, 0422, 0423, 0432, 0433, 0468, 0467, 3217, 3221, 3226, 3227, 3416. 493947 Crankshaft Used on Type No(s). 3411, 3414, 3415. 494546 Crankshaft Used on Type No(s). 0511. 496809 Crankshaft Used on Type No(s). 3242.				262660 Spring—Gov. Used on Type No(s). 0236, 0238, 0242, 3212, 3213, 3218, 3228, 3230, 3234, 3245, 3421, 3422, 3423, 3424, 3426, 3427, 3429, 3439. 262661 Spring—Gov. Used on Type No(s). 0511, 3415. 262662 Spring—Gov. Used on Type No(s). 3224, 3242. 262664 Spring—Gov. Used on Type No(s). 0226, 0284, 0427, 0428, 0560. 262665 Spring—Gov. Used on Type No(s). 0426. 262667 Spring—Gov. Used on Type No(s). 0413, 3431. 262678 Spring—Gov. Used on Type No(s). 0410, 0417, 0420, 0429, 3124, 3217, 3416.
			209	262666	Spring—Governor <div style="text-align: center;">Note</div> 262657 Spring—Gov. Used on Type No(s). 0210, 0245, 0513, 3210, 3211, 3222, 3227, 3240, 3432, 3433, 3434, 3435. 262658 Spring—Gov. Used on Type No(s). 3411, 3412, 3414. 262659 Spring—Gov. Used on Type No(s). 0508, 0512, 0516, 0517, 0518, 0610, 3100, 3110, 3111, 3115, 3117, 3126, 3130, 3131, 3201, 3208, 3209, 3214, 3219, 3220, 3223, 3226, 3231, 3241, 3246, 3401, 3408, 3425, 3436.				

- ★ Included in Gasket Set—See Ref. 358.
- Included in Carburetor Kit—Part No. 493762.
- ◆ Included in Carburetor Gasket Set—Part No. 490937.